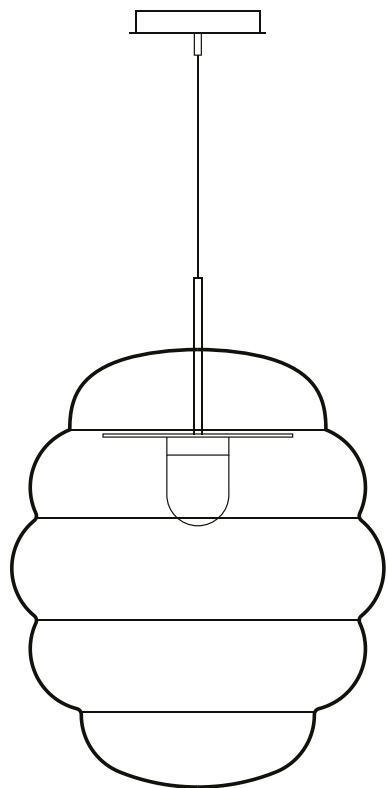


lolimpo

Design by Big-Game



bomma

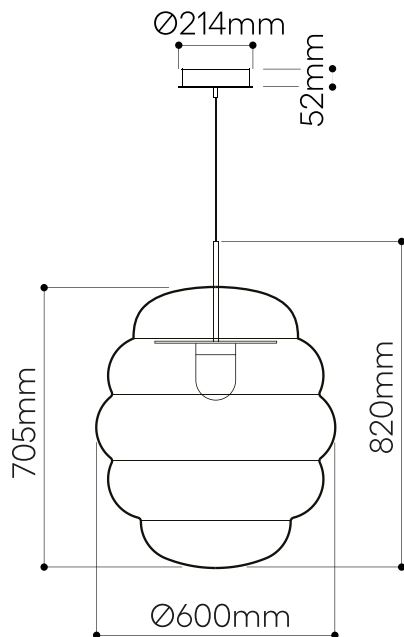
bomma.cz

TECHNICAL SHEET

BLIMP pendant large

Design by
Big-Game

All Bomma products are hand-made from mouth-blown lead-free crystal. Therefore any small bubbles, non-melts and irregularities in the glass are both proof and a characteristic feature of this traditional craft.



LIGHTING DESCRIPTION

Size	dia. 600 mm, H 820 mm dia. 23,6 inch, H 32,3 inch
Cable	black textile braid cable 2,5 m / 98,4 inch
Weigh	24 kg / 52,8 lb
Material	mouth-blown lead-free crystal in clear and amber
Mounting Materials	aluminium black elox / steel with black powder coating
Mounting Colors	black
Protection	IP 20
Nominal voltage	220-230V / A.C. 50-60 hz (EU) 100-120 V / A.C. 60 Hz (USA)
Class	II. EU / I. USA

LIGHT SOURCE

Type	LED module 24,5W, 700 mA
Base	custom LED module
Voltage	200-240V, AC 100-140V, AC
Temperature	2700 K
Color index	RA 90+
Dimming	Dimmable with TRIAC dimmers

TRANSFORMER

Mean Well PCD-40-700B EU
ERP ESM030W-0700-42 USA

PACKAGING

Material	Cardboard
Size	670 × 670 × 950 mm 26,4 × 26,4 × 37,4 inch

Origin: traditionally produced in the Czech Republic
Intellectual property license holder: Bomma Czech Republic (EU)
represented by Bohemia Machine s.r.o.

CERTIFICATES

