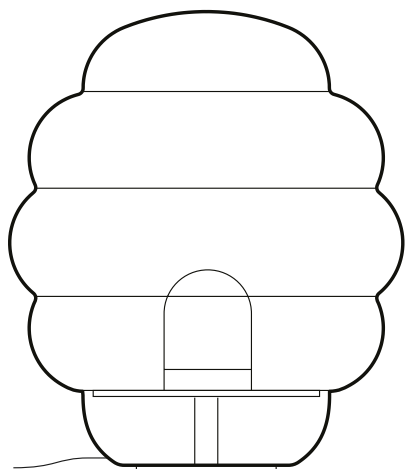


# lolimpo

Design by Big-Game



# bomma

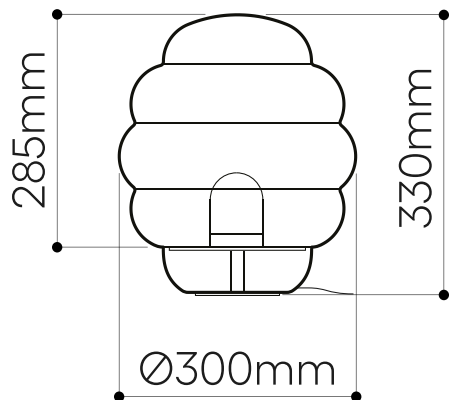
bomma.cz

TECHNICAL SHEET

# BLIMP floor lamp small

Design by  
Big-Game

All Bomma products are hand-made from mouth-blown lead-free crystal. Therefore any small bubbles, non-melts and irregularities in the glass are both proof and a characteristic feature of this traditional craft.



## LIGHTING DESCRIPTION

Size	dia. 300 mm, H 330 mm dia. 11,8 inch, H 13 inch
Cable	black textile braid cable 1,8 m / 70,8 inch
Weigh	6,3 kg / 13,9 lb
Material	mouth-blown lead-free crystal in clear and amber
Mounting Materials	aluminium black elox / steel with black powder coating
Mounting Colors	black
Protection	IP 20
Nominal voltage	220-230V / A.C. 50-60 hz (EU) 100-120 V / A.C. 60 Hz (USA)
Class	II. EU / I. USA

## LIGHT SOURCE

Type	LED module 12,6W, 350mA
Base	custom LED module
Voltage	200-240V, AC 100-140V, AC
Temperature	2700 K
Color index	RA 90+
Dimming	Dimmable with TRIAC dimmers. Dimmer within the power cable.

## TRANSFORMER

Mean Well PCD-16-350B EU  
Mean Well PCD-16-350A USA

## PACKAGING

Material	Cardboard
Size	420 × 420 × 490 mm 16,5 × 16,5 × 19,3 inch

Origin: traditionally produced in the Czech Republic  
Intellectual property license holder: Bomma Czech Republic (EU)  
represented by Bohemia Machine s.r.o.

CERTIFICATES

