

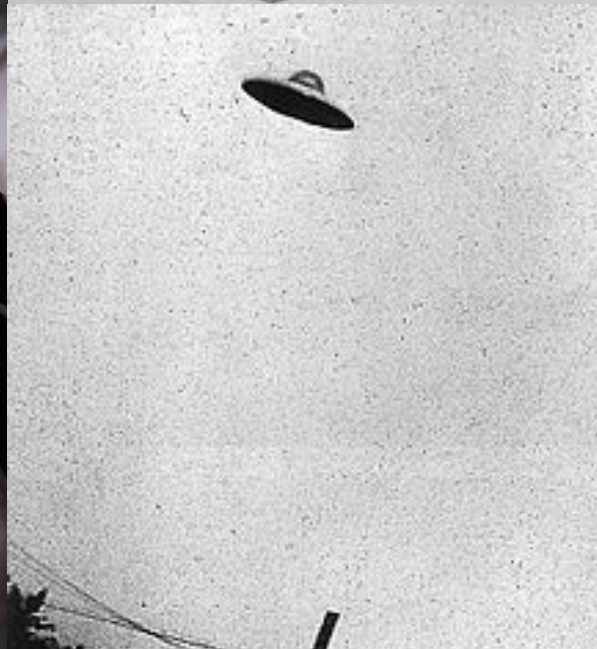
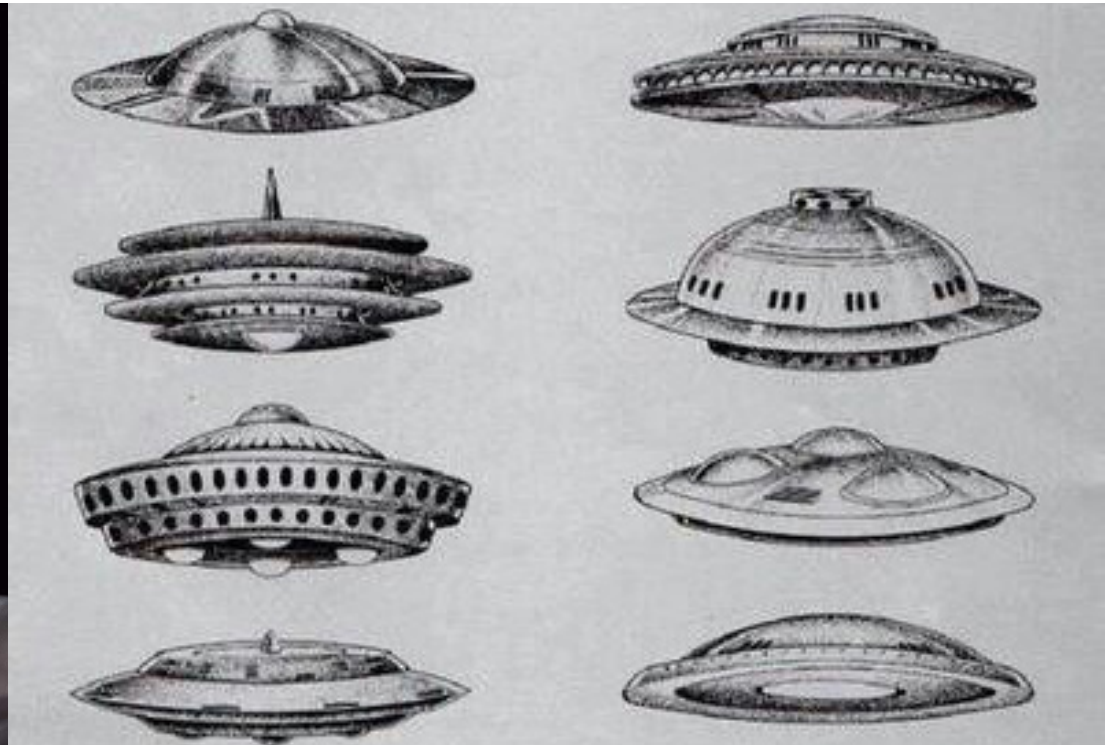
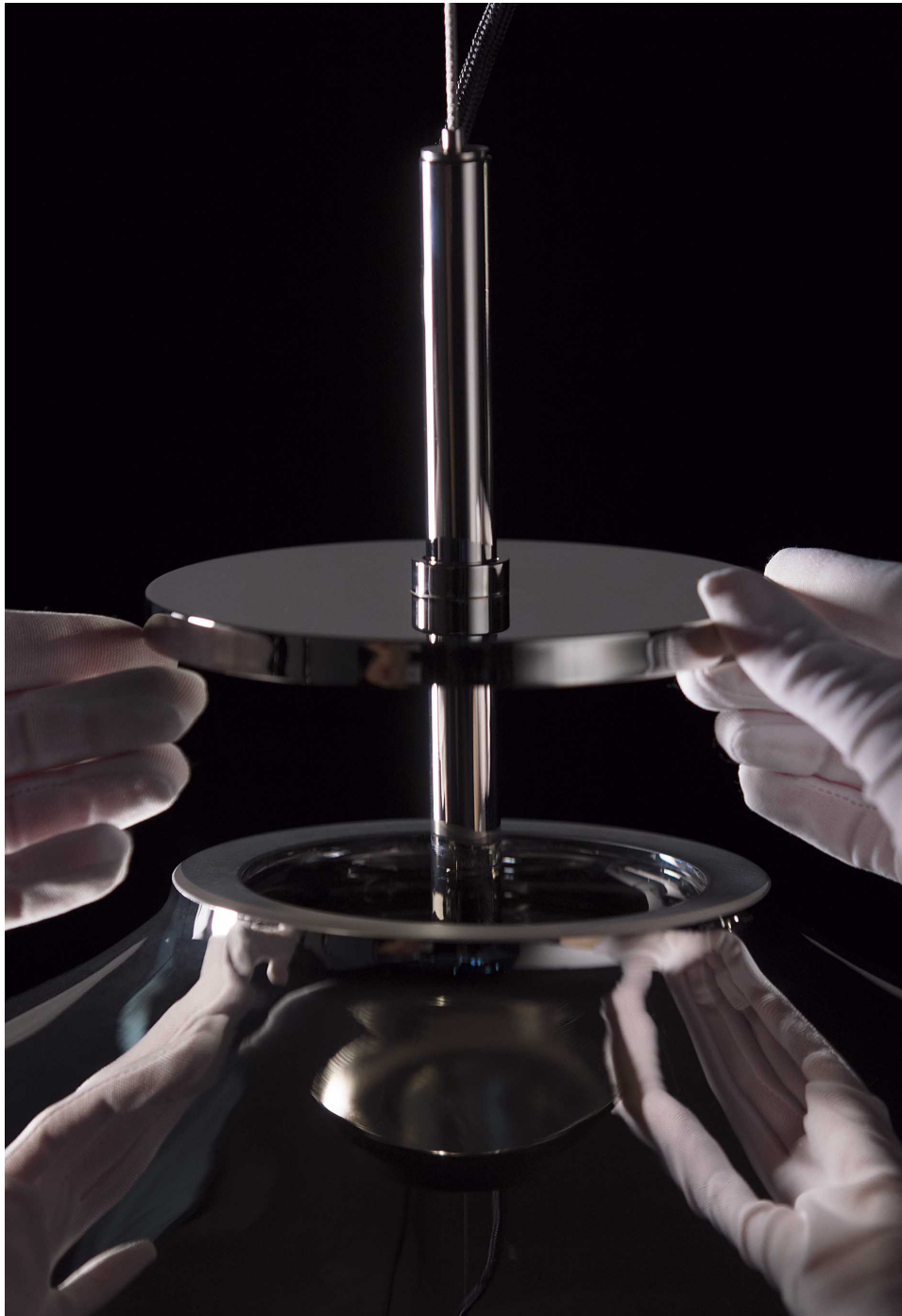


disc

loomma



inspiration



## DISC

A visit from the outer space

These pieces take the idea of extremely large glass volumes to its next level. Blown against a mold, the Disc pendants combine crystal and metal with minimalistic design, fine materials and precise details. Their shapes seem familiar and close, the gleaming surfaces reflect our world in a fresh perspective.

Design by Olgoj Chorchoj studio

production





projects





BOMMA catalogue, 2021



BOMMA Atelier, Prague, 2021



Private loft, Czech Republic, 2018



Private loft, Czech Republic, 2018



Canape by SOFFA, Prague, 2018



Normal headquarter, Denmark, 2019

options



clear glass  
black fitting



silver glass  
silver fitting

# pendant

Glass options: clear, silver  
Fitting options: black, silver, copper

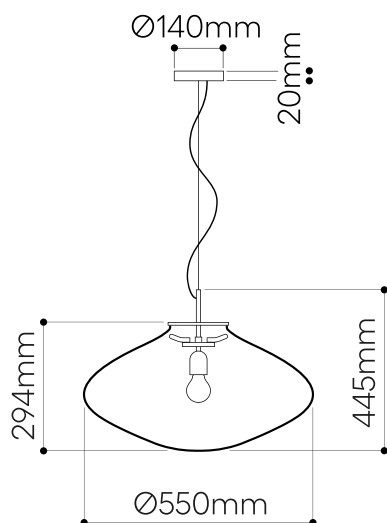
technical informations

# DISC pendant

Design by  
Olgoj Chorchoj studio

All Bomma products are hand-made from mouth-blown lead-free crystal. Therefore any small bubbles, non-melts and irregularities in the glass are both proof and a characteristic feature of this traditional craft.

The intensity and color shade of metal-coated glass may vary slightly from product to product. Small dots in the coating, especially visible after the light is on, are not a defect of the product. When installing and cleaning, touch the coated glass only with the gloves supplied. Failure to do so could cause irreversible damage to the surface. Never use liquid solutions or chemical cleaners to clean the metal-coated glass. Wipe the surface with a soft, dry cloth only.



## LIGHTING DESCRIPTION

Size	dia. 550 mm , H 445 mm dia. 8,8 inch, H 98,4 inch
Cable	black, textile braid 2,5 m / 98,4 inch
Weigh	10,5 kg / 23,1 lb
Material	mouth-blown lead-free crystal in clear
Mounting Materials	brass and galvanized nickel / brass and galvanized copper
Mounting Colors	silver / copper
Protection	IP 20
Nominal voltage	220-230V / A.C. 50 hz (EU) 100-120 V / A.C. 60 Hz (USA)
Class	II. EU / I. USA

## LIGHT SOURCE

Type	A60 / A19, 6W led, 390 lm
Base	E27 EU / E26 USA
Voltage	200-240V, AC / 100-140V, AC
Temperature	2700 K
Color index	RA 90+
Dimming	Dimmable with TRIAC ; on demand dimmable with DALI, RF/WIFI, for information on dimming with other systems please contact your Bomma partner.

## PACKAGING

Material	Cardboard
Size	800 × 630 × 430 mm 31,5 × 24,8 × 16,9 inch

Origin: traditionally produced in the Czech Republic  
Intellectual property license holder: Bomma Czech Republic (EU)  
represented by Bohemia Machine s.r.o.

BMRC Group s.r.o.  
Hvězdova 1716/2b,  
Prague 4, 140 00,  
Czech Republic

[info@bomma.cz](mailto:info@bomma.cz)

step beyond