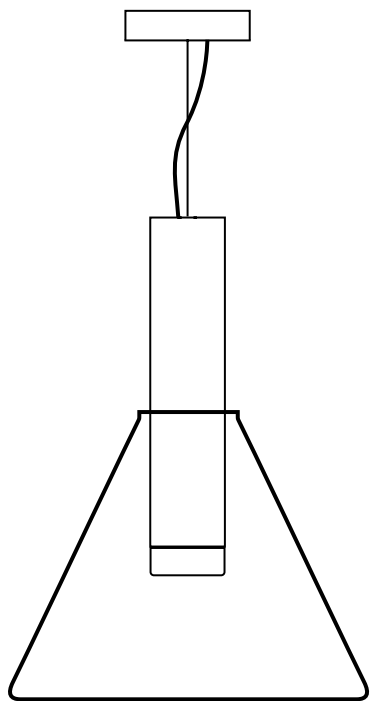


phenomena

Design by
Dechem Studio



bomma

bomma.cz

TECHNICAL SHEET

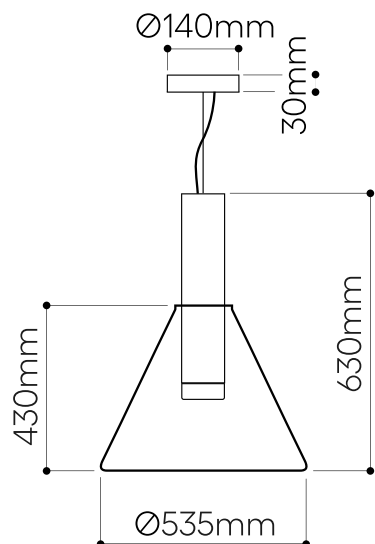
PHENOMENA

pendant cone

Design by
Dechem Studio

All Bomma products are hand-made from mouth-blown lead-free crystal. Therefore any small bubbles, non-melts and irregularities in the glass are both proof and a characteristic feature of this traditional craft.

The Phenomena Collection is made by underlying colored glass technology. Thanks to the manual process of blowing underlay glass, each piece is an original. Individual products may vary slightly in intensity, hue or even color. This is an accompanying characteristic of the traditional underlay glass technology.



LIGHTING DESCRIPTION

| | |
|--------------------|--|
| Size | dia. 535 mm, H 630 mm dia. 21 inch, H 24,8 inch |
| Cable | black textile braid 2,5 m / 98,4 inch |
| Weigh | 24 kg / 52,8 lb |
| Material | mouth-blow lead-free crystal in clear and smoke grey |
| Mounting Materials | polished stainless steel / polished stainless steel with nitride titan coating |
| Mounting Colors | silver / gold |
| Protection | IP 20 |
| Nominal voltage | 220-230V / A.C. 50 hz (EU) 100-120 V / A.C. 60 Hz (USA) |
| Class | II. EU / I. USA |

LIGHT SOURCE

| | |
|-------------|---|
| Type | A60 / A19, 6W led, 390 lm |
| Base | E27 (EU) / E26 (USA) |
| Voltage | 200-240V, AC 100-140V, AC |
| Temperature | 2700 K |
| Color index | RA 90+ |
| Dimming | Dimmable with TRIAC ; on demand dimmable with DALI, RF/WIFI, for information on dimming with other systems please contact your Bomma partner. |

PACKAGING

| | |
|----------|---|
| Material | Cardboard |
| Size | 810 × 730 × 730 mm 31,8 × 28,7 × 28,7 inch |

Origin: traditionally produced in the Czech Republic
Intellectual property license holder: Bomma Czech Republic (EU)
represented by Bohemia Machine s.r.o.

CERTIFICATES

