



lantern

loomma



inspiration



LANTERN

When glass embodies paper

The ancient shape of the lantern, transformed by BOMMA and recast into glass, maintains its age-old symbolism of a messenger. The essential shape of the crystal Chinese lantern is replicated by hand-blowing into a wooden form. The resulting precise craft, despite its minimalist appearance, accentuates our prime devotion to traditional glassmaking principles in both top quality and perfect details. In their basic clear version, these lighting objects can be easily combined, forming random or even geometric groups. In smoke or white colors, Lantern adds soft ambient light to any interior.

Design by Jan Plecháč & Henry Wielgus

production





projects



BOMMA catalogue, 2021



BOMMA Atelier, 2021



Ton stand, Milano, 2019



SOFFA editorial, Czech Republic, 2018



Minotti catalogue, London, 2018



SLK clinic, United States, 2019

options



clear glass
black fitting



smoke glass
patina gold fitting

pendant

Glass options: clear, smoke,
Fitting options: black, patina gold



clear glass
black fitting

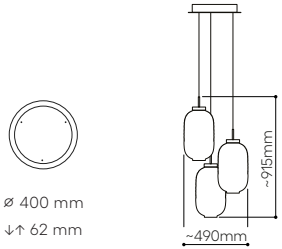


smoke glass
patina gold fitting

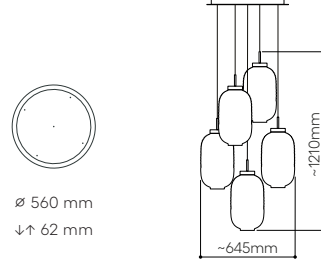
floor

Glass options: clear, smoke,
Fitting options: black, patina gold

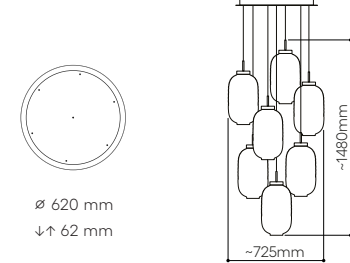
lomma



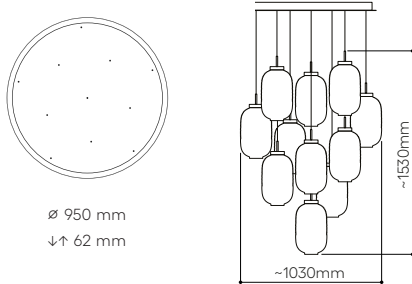
3 pendants



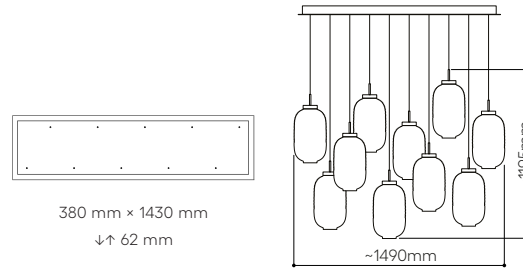
5 pendants



7 pendants



11 pendants



10 pendants
rectangular

chandeliers

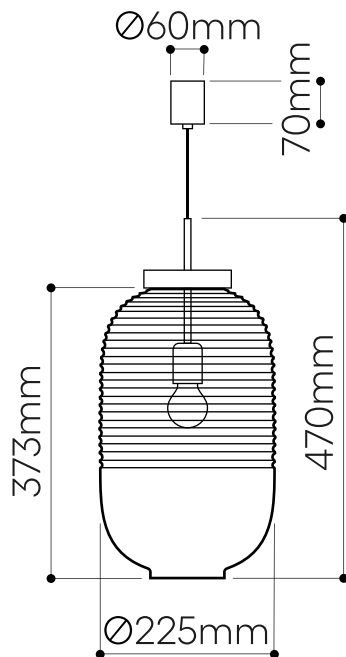
technical informations

LANTERN pendant

Design by
Jan Plecháč & Henry Wielgus

All Bomma products are hand-made from mouth-blown lead-free crystal. Therefore any small bubbles, non-melts and irregularities in the glass are both proof and a characteristic feature of this traditional craft.

The Lantern Collection is produced in three colors - clear, white and smoke. The smoke and white color are made by underlying colored glass technology. Thanks to the manual process of blowing underlay glass, each piece is an original. Individual products may vary slightly in intensity, hue or even color. This is an accompanying characteristic of the traditional underlay glass technology.



LIGHTING DESCRIPTION

Size	dia. 225 mm , H 470 mm dia. 8,9 inch, H 18,5 inch
Cable	black, white, moca textile braid 2,5 m / 98,4 inch
Weigh	4 kg / 8,8 lb
Material	mouth-blown lead-free crystal in clear, smoke grey
Mounting Materials	brushed brass / polished brass /steel with black or white powder coating
Mounting Colors	patina gold / gold / black / white
Protection	IP 20
Nominal voltage	220-230V / A.C. 50 hz (EU) 100-120 V / A.C. 60 Hz (USA)
Class	I. EU / I. USA

LIGHT SOURCE

Type	G45 , 3W LED, 310 lm
Base	E27 EU / E26 USA
Voltage	200-240V, AC / 100-140V, AC
Temperature	2700 K
Color index	RA 90+
Dimming	Dimmable with TRIAC ; on demand dimmable with DALI, RF/WIFI, for information on dimming with other systems please contact your Bomma partner.

PACKAGING

Material	Cardboard
Size	630 × 335 × 335 mm 24,8 × 13,1 × 13,1 inch

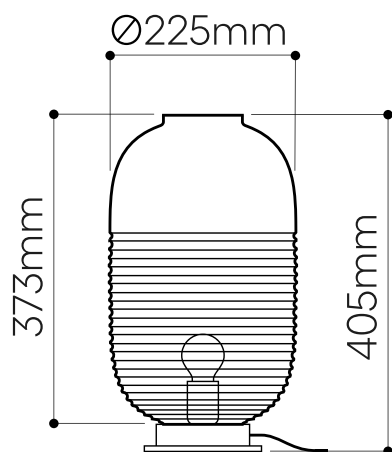
Origin: traditionally produced in the Czech Republic
Intellectual property license holder: Bomma Czech Republic (EU)
represented by Bohemia Machine s.r.o.

LANTERN table lamp

Design by
Jan Plecháč & Henry Wielgus

All Bomma products are hand-made from mouth-blown lead-free crystal. Therefore any small bubbles, non-melts and irregularities in the glass are both proof and a characteristic feature of this traditional craft.

The Lantern Collection is produced in three colors - clear, white and smoke. The smoke and white color are made by underlying colored glass technology. Thanks to the manual process of blowing underlay glass, each piece is an original. Individual products may vary slightly in intensity, hue or even color. This is an accompanying characteristic of the traditional underlay glass technology.



LIGHTING DESCRIPTION

Size	dia. 225 mm , H 405 mm dia. 8,8 inch , H 15,9 inch
Cable	black, white, moca textile braid 1,8 m / 70,8 inch
Weigh	1,6 kg / 3,52 lb
Material	mouth-blown lead-free crystal in clear, smoke grey
Mounting Materials	brushed brass / polished brass /steel with black or white powder coating
Mounting Colors	patina gold / gold / black / white
Protection	IP 20
Nominal voltage	220-230V / A.C. 50 hz (EU) 100-120 V / A.C. 60 Hz (USA)
Class	II. EU / I. USA

LIGHT SOURCE

Type	G45 , 3W LED, 310 lm
Base	E27 EU / E26 USA
Voltage	200-240V, AC / 100-140V, AC
Temperature	2700 K
Color index	RA 90+
Dimming	Dimmable with TRIAC ; on demand dimmable with DALI, RF/WIFI, for information on dimming with other systems please contact your Bomma partner. Dimmer within the power cable.

PACKAGING

Material	Cardboard
Size	630 × 335 × 335 mm 24,8 × 13,1 × 13,1 inch

Origin: traditionally produced in the Czech Republic
Intellectual property license holder: Bomma Czech Republic (EU)
represented by Bohemia Machine s.r.o.

BMRC Group s.r.o.
Hvězdova 1716/2b,
Prague 4, 140 00,
Czech Republic

info@bomma.cz

step beyond