

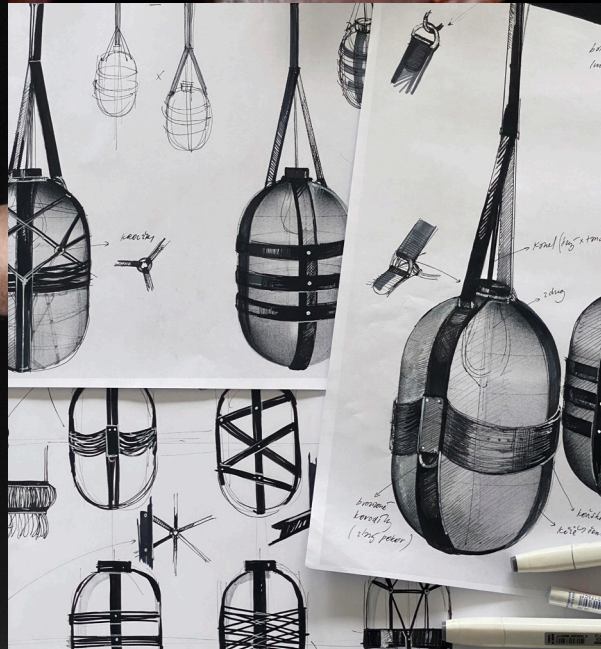


tied up romance

loomma



inspiration



## TIED UP ROMANCE

The beauty in contradiction

The provoking aesthetic of bondage highlights both the fragility and the solidity of glass. Crystal elements are tightly bound in meticulously crafted leather and horsehair. Tied-Up Romance celebrates the world of contradictions and the fluid essence of glass.

Design by Kateřina Handlová

production









projects



BOMMA catalogue, 2021



BOMMA Atelier, Prague, 2021



Le Baroque restaurant, Geneve, 2017



Ton catalogue, Czech Republic, 2020



BOMMA catalogue, Berlin, 2017



Public interest, Prague, 2018

options



Type A  
clear glass  
black fitting



Type B  
clear glass  
black fitting



Type C  
clear glass  
black fitting

# pendant

Glass options: clear  
Leather options: black, brown (only for A,B type)  
Fitting options: black, gold



Type A  
clear glass  
gold fitting



Type B  
clear glass  
gold fitting

# pendant

Glass options: clear  
Leather options: black, brown (only for A,B type)  
Fitting options: black, gold

technical informations

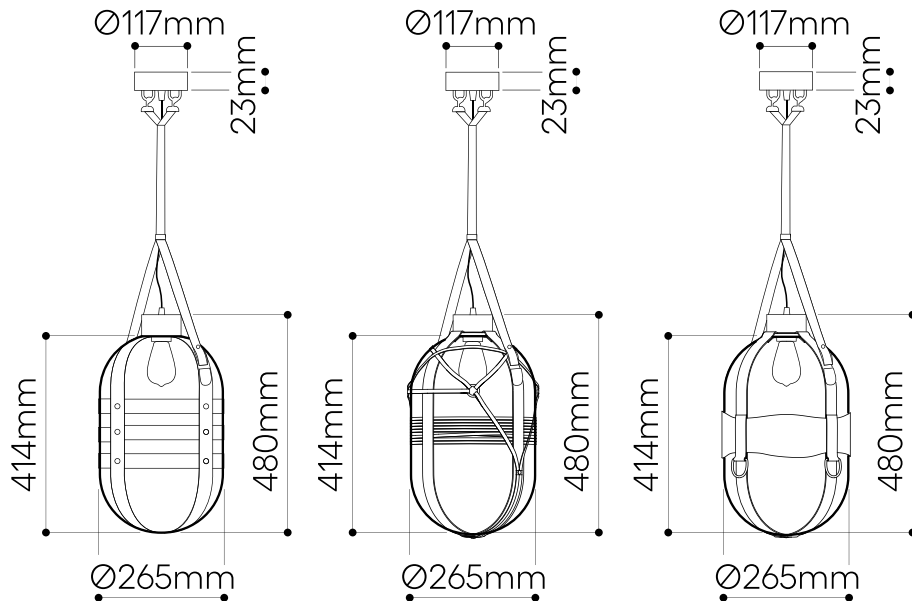


# TIED-UP ROMANCE

## pendant type A, B, C

Design by  
Kateřina Handlová

All Bomma products are hand-made from mouth-blown lead-free crystal. Therefore any small bubbles, non-melts and irregularities in the glass are both proof and a characteristic feature of this traditional craft.



### LIGHTING DESCRIPTION

Size	dia. 265 mm, H 480 mm dia. 10,4 inch, H 18,9 inch
Cable	black or brown textile braid 2,5 m / 98,4 inch
Weigh	6 kg / 13,2 lb
Material	mouth-blown lead-free crystal in clear
Mounting Materials	brass with black powder coating / polished brass
Mounting Colors	black / gold
Protection	IP 20
Nominal voltage	220-230V / A.C. 50 hz (EU) 100-120 V / A.C. 60 Hz (USA)
Class	II. EU / I. USA

### LIGHT SOURCE

Type	ST64, 3W LED, 350 lm
Base	E27 EU / E26 USA
Voltage	200-240V, AC / 100-140V, AC
Temperature	2700 K
Color index	RA 90+
Dimming	Dimmable with TRIAC ; on demand dimmable with DALI, RF/WIFI, for information on dimming with other systems please contact your Bomma partner.

### PACKAGING

Material	Cardboard
Size	620 × 320 × 320 mm 24,4 × 12,6 × 12,6 inch

Origin: traditionally produced in the Czech Republic  
Intellectual property license holder: Bomma Czech Republic (EU)  
represented by Bohemia Machine s.r.o.

BMRC Group s.r.o.  
Hvězdova 1716/2b,  
Prague 4, 140 00,  
Czech Republic

[info@bomma.cz](mailto:info@bomma.cz)

step beyond